

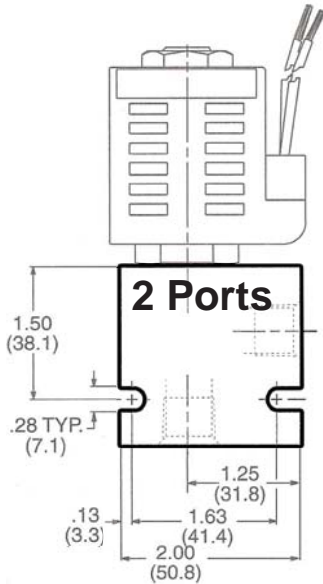
CENTRAL HYDRAULICS INC.

•Daytona Beach •Cocoa •Leesburg •Ocala •Tampa 1-800-264-9571

Aluminum Cartridge Blocks

3000 PSI

Two Way Two Position

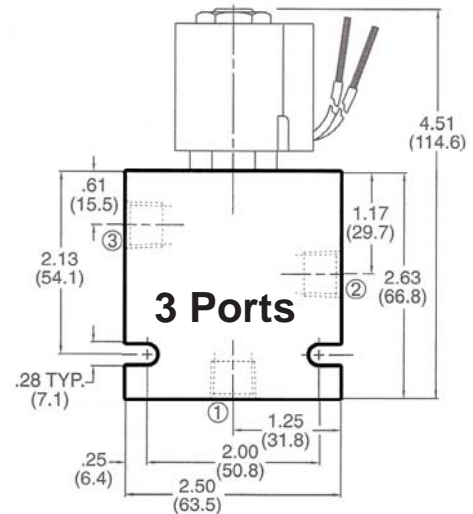


Part #	Description
10138-44	B-080-2-2N 2W/2POS 1/4" NPT
10138-47	B-080-2-6T 2W/2POS #6 ORB
10138-48	B-100-2-2N 2W/2POS 1/4" NPT
10138-49	B-100-2-3N 2W/2POS 3/8" NPT
10138-51	B-100-2-8T 2W/2POS #8 ORB

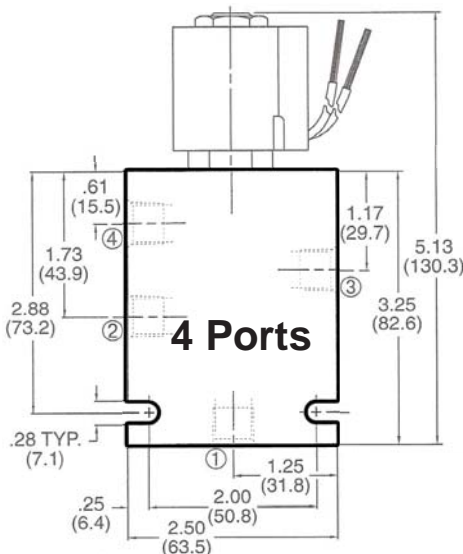
(All cartridge valves & coils sold separately)

Three Way Two Position

Part #	Description
10134-93	B-080-3-6T 3W/2POS #6 ORB
10134-98	B-100-3-6T 3W/2POS #6 ORB
10134-99	B-100-3-8T 3W/2POS #8 ORB



Four Way Two Position



Part #	Description
10134-35	B-080-4-2N 4W/2 POS 1/4" NPT
10134-38	B-080-4-6T 4W/2 POS #6 ORB
10134-39	B-100-4-2N 4W/2 POS 1/4" NPT
10134-40	B-100-4-3N 4W/2 POS 3/8" NPT
10134-42	B-100-4-8T 4W/2 POS #8 ORB

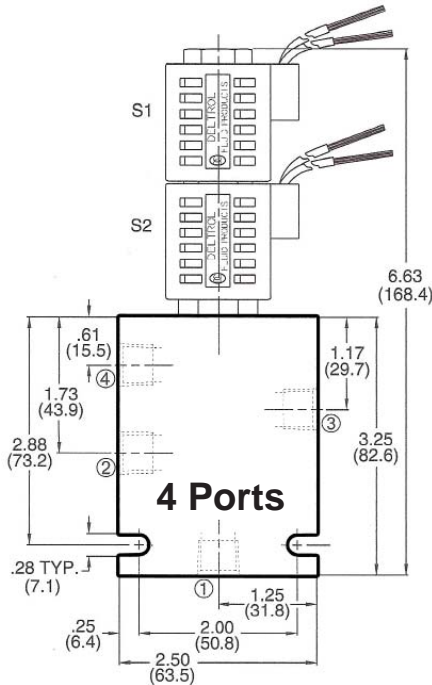
CENTRAL HYDRAULICS INC.

•Daytona Beach •Cocoa •Leesburg •Ocala •Tampa 1-800-264-9571

Aluminum Cartridge Blocks

3000 PSI

(All cartridge valves & coils sold separately)



Four Way Three Position

Part #	Description
10134-35	B-080-4-2N 4W/3 POS 1/4" NPT
10134-38	B-080-4-6T 4W/3 POS #6 ORB
10134-39	B-100-4-2N 4W/3 POS 1/4" NPT
10134-40	B-100-4-3N 4W/3 POS 3/8" NPT
10134-42	B-100-4-8T 4W/3 POS #8 ORB

DELTROL

fluid products

DIVISION OF DELTROL CORP



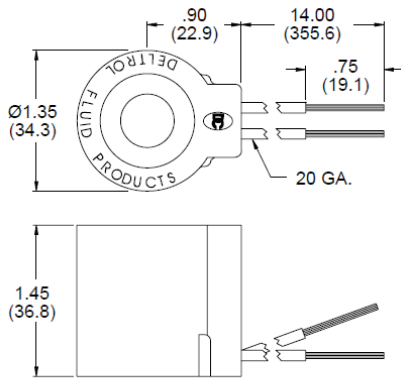
Fax: 386-257-5728 Tele. 1-800-264-9571 sales@centralhydraulics.com www.centralhydraulics.com

CENTRAL HYDRAULICS INC.

•Daytona Beach •Cocoa •Leesburg •Ocala •Tampa 1-800-264-9571

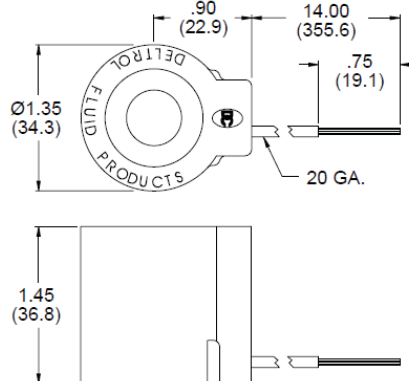
Solenoid Coil Data

80 Series - 1/2" ID Center Hole



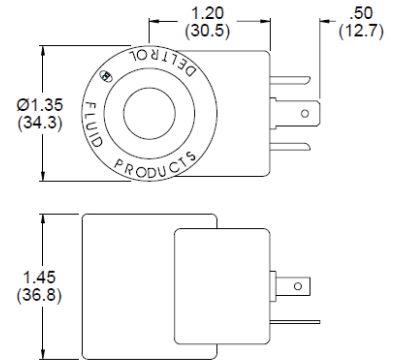
****D**
DOUBLE LEADS

PART #	VOLTS	WATTS
10148-57	120v	
10184-42	12v	
10226-37	10v	
10231-42	24v	
10238-66	12v	
10148-51	12v	



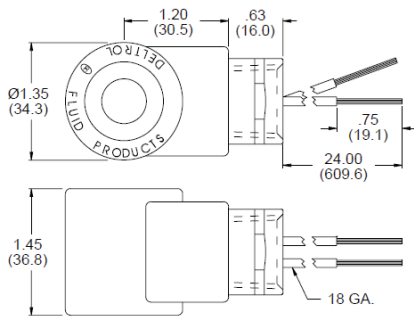
****S**
SINGLE LEAD (D*'S ONLY)

PART #	VOLTS	WATTS
10116-30	12v	
10148-52	12v	



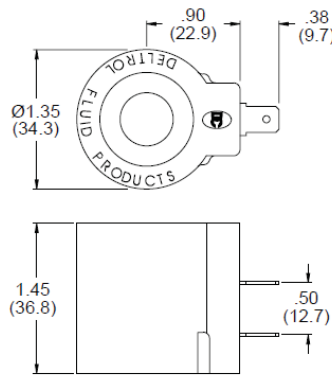
****H**
HIRSCHMANN® GSR 200
(2 POLE + GROUND APPLI-
ANCE PLUG) TO DIN 43650

PART #	VOLTS	WATTS
10148-79	240v	
10148-80	120v	
10148-81	24v	



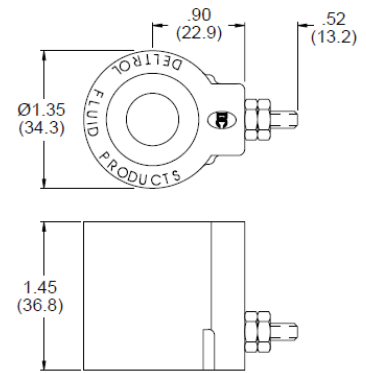
****C**
CONDUIT (FEMALE 1/2-14 NPT)

PART #	VOLTS	WATTS
10148-70	120v	



****B**
DOUBLE SPADE
1/4" MALE QUICK-CONNECT
PER SAE J858A (TYPE 1B)

PART #	VOLTS	WATTS
10148-53	12v	
10148-56	120v	
10149-62	24v	
10166-25	20v	16w
10226-37	10v	



****E**
SINGLE STUD
8-32 MALE STUD
WITH 2 BRASS NUTS

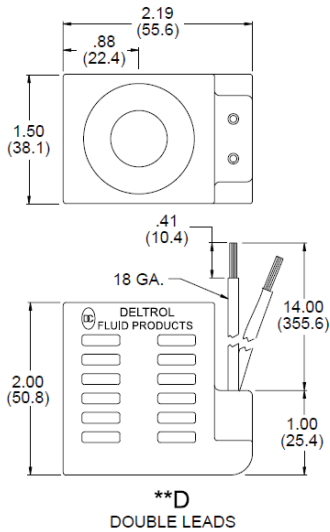
PART #	VOLTS	WATTS
10196-61	12v	
10196-62	24v	

CENTRAL HYDRAULICS INC.

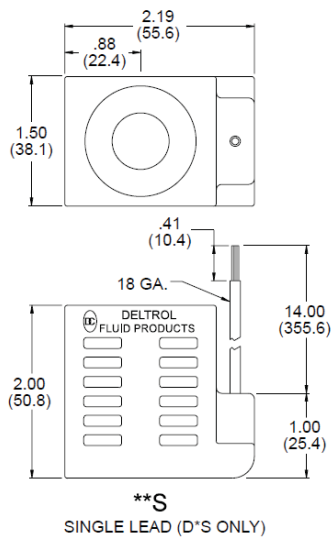
•Daytona Beach •Cocoa •Leesburg •Ocala •Tampa 1-800-264-9571

Solenoid Coil Data

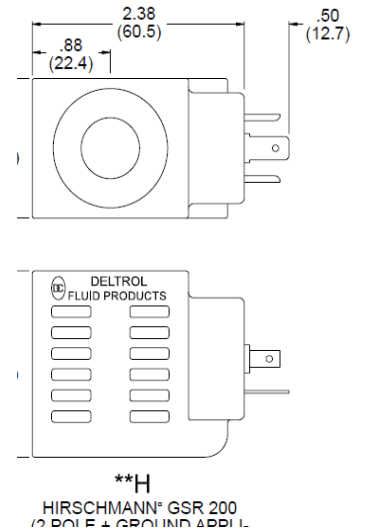
100 Series - 5/8" ID Center Hole



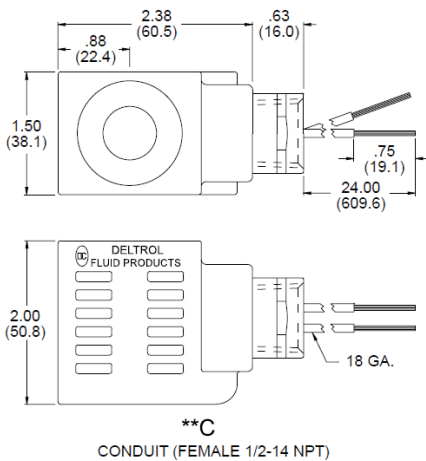
PART #	VOLTS	WATTS
10162-76	12vDC	
10162-77	24vDC	
10162-82	110/120v	



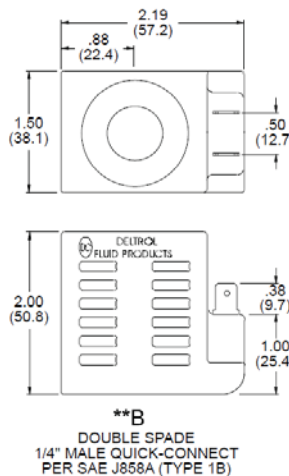
PART #	VOLTS	WATTS
10164-10	12vDC	



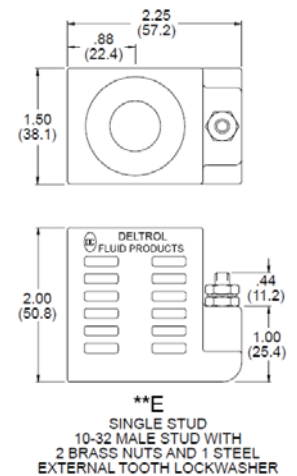
PART #	VOLTS	WATTS
10162-78	12v	
10162-79	24v	
10162-84	120v	
10162-85	240vAC	



PART #	VOLTS	WATTS
10162-86	110v	
10162-87	240vAC	



PART #	VOLTS	WATTS
10162-90	120v	
10162-91	12v	
10162-92	24v	
10164-09	240vDC	



PART #	VOLTS	WATTS
10164-13	12vDC	
10164-14	24vDC	
10164-73	12vDC	

Fax: 386-257-5728 Tele. 1-800-264-9571 sales@centralhydraulics.com www.centralhydraulics.com