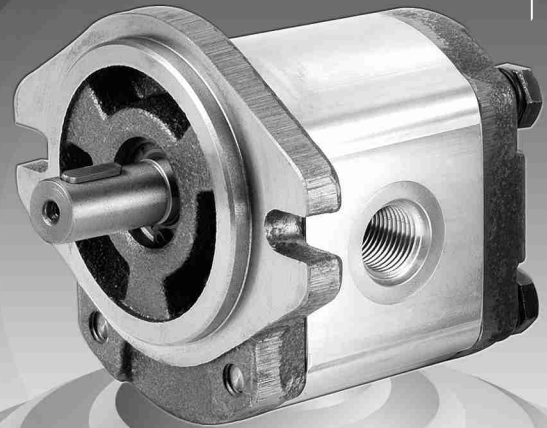


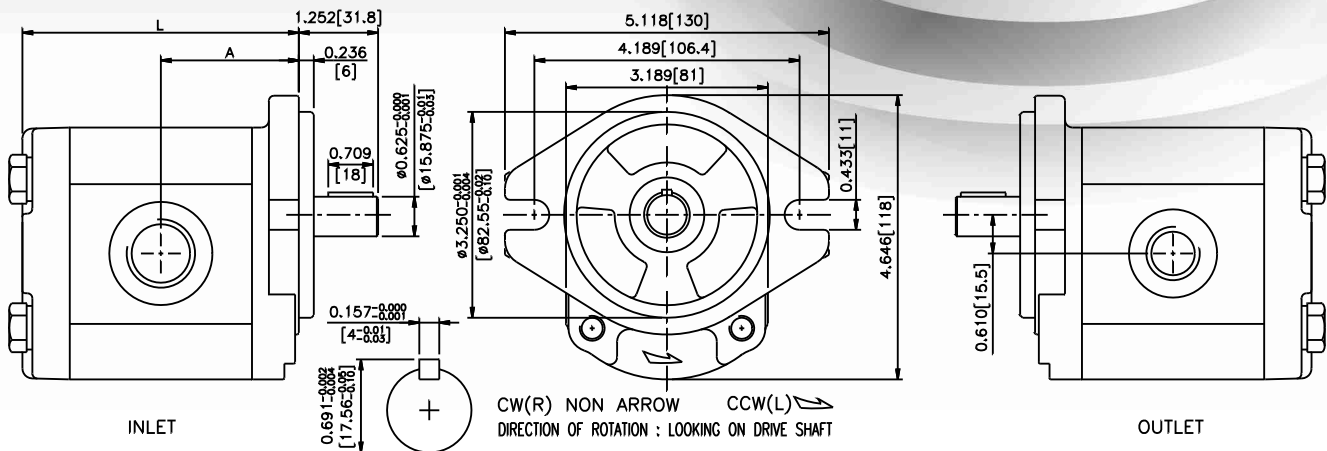
# 2G Series

## TYPE 2GG1U

2G cast iron pump covers ensure up to 3500 psi working pressure. The extruded body and pressure loaded bearing blocks are made from the highest quality aluminum. Precision machined one piece steel gears guarantee the highest performance standard available. Honor gear pumps are well suited for both industrial and mobile applications, and are very competitive so you can meet the competition with a good price advantage.



### OVERALL DIMENSIONS



### PERFORMANCE DATA

MODEL	DISPLACEMENT		PRESSURE psi(MPa)		RPM RANGE	DIMENSIONS inch(mm)		WEIGHT		PORT
	cir	cm <sup>3</sup> r	CONTINUOUS	MAX.		A	L	Kg	LBS	
05	0.30	5.0	3500(25)	4200(30)	600  4000	1.687(42.86)	3.493(88.71)	4.17	9.18	INLET UNF-12 1-1/16"-12  OUTLET UNF-10 7/8"-14
07	0.43	7.0	3500(25)	4200(30)		1.746(44.36)	3.611(91.71)	4.25	9.35	
08	0.52	8.4	3500(25)	4200(30)		1.796(45.61)	3.709(94.21)	4.31	9.48	
09	0.58	9.5	3500(25)	4200(30)		1.825(46.36)	3.768(95.71)	4.38	9.64	
11	0.69	11.3	3500(25)	4200(30)		1.884(47.86)	3.886(98.71)	4.55	10.01	
14	0.85	14.0	3500(25)	4200(30)		1.963(49.86)	4.044(102.71)	4.72	10.39	
16	0.98	16.0	3500(25)	4200(30)		2.022(51.36)	4.162(105.71)	4.81	10.59	
18	1.10	18.0	3500(25)	4200(30)		2.081(52.86)	4.280(108.71)	4.95	10.89	
20	1.20	19.5	3500(25)	4200(30)		2.160(54.86)	4.437(112.71)	5.03	11.07	
22	1.31	21.5	3500(25)	4200(30)		2.180(55.36)	4.477(113.71)	5.12	11.27	
24	1.44	23.5	2550(18)	3000(21)	600 (*) 2500	2.258(57.36)	4.634(117.71)	5.20	11.44	UNF-16 1-5/16"-12 UNF-12 1-1/16"-12
26	1.53	25.0	2550(18)	3000(21)		2.317(58.86)	4.752(120.71)	5.26	11.57	
28	1.71	28.0	2550(18)	3000(21)		2.396(60.86)	4.910(124.71)	5.32	11.71	
30	1.84	30.0	2550(18)	3000(21)		2.475(62.86)	5.067(128.71)	5.39	11.86	
33	2.02	33.0	2550(18)	3000(21)		2.554(64.86)	5.225(132.71)	5.45	11.99	

(\*) More than 2500 qualified per applications.

### ORDERING EXAMPLE

When you need pump as above, the model number is

2
G
G
1
U

Series            Type            Flange            Shaft            Port            Displ.            Rotation

For Example

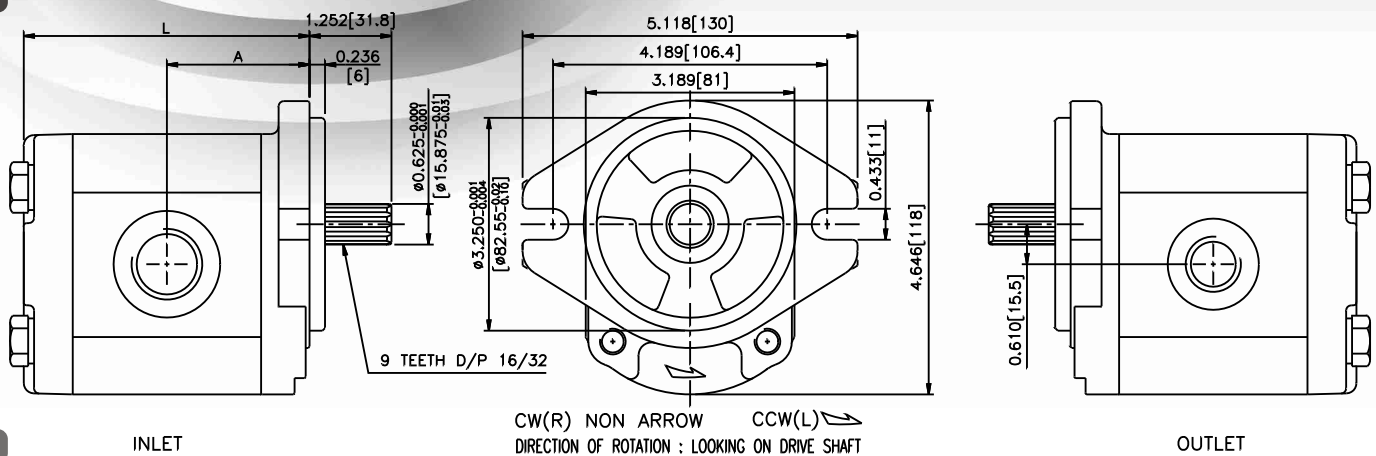
If you need pump with displ. 0.98 cir and rotation is cw, the model number is : **2GG1U16R**

# 2G Series

## TYPE 2GG2U

2G cast iron pump covers ensure up to 3500 psi working pressure. The extruded body and pressure loaded bearing blocks are made from the highest quality aluminum. Precision machined one piece steel gears guarantee the highest performance standard available. Honor gear pumps are well suited for both industrial and mobile applications, and are very competitive so you can meet the competition with a good price advantage.

### OVERALL DIMENSIONS



### PERFORMANCE DATA

MODEL	DISPLACEMENT		PRESSURE psi(MPa)		RPM RANGE	DIMENSIONS inch(mm)		WEIGHT		PORT
	cir	cm <sup>3</sup> /r	CONTINUOUS	MAX.		A	L	Kg	LBS	
05	0.30	5.0	3500(25)	4200(30)	600  4000	1.687(42.86)	3.493(88.71)	4.17	9.18	INLET UNF-12 1-1/16"-12  OUTLET UNF-10 7/8"-14
07	0.43	7.0	3500(25)	4200(30)		1.746(44.36)	3.611(91.71)	4.25	9.35	
08	0.52	8.4	3500(25)	4200(30)		1.796(45.61)	3.709(94.21)	4.31	9.48	
09	0.58	9.5	3500(25)	4200(30)		1.825(46.36)	3.768(95.71)	4.38	9.64	
11	0.69	11.3	3500(25)	4200(30)		1.884(47.86)	3.886(98.71)	4.55	10.01	
14	0.85	14.0	3500(25)	4200(30)		1.963(49.86)	4.044(102.71)	4.72	10.39	
16	0.98	16.0	3500(25)	4200(30)		2.022(51.36)	4.162(105.71)	4.81	10.59	
18	1.10	18.0	3500(25)	4200(30)		2.081(52.86)	4.280(108.71)	4.95	10.89	
20	1.20	19.5	3500(25)	4200(30)		2.160(54.86)	4.437(112.71)	5.03	11.07	
22	1.31	21.5	3500(25)	4200(30)		2.180(55.36)	4.477(113.71)	5.12	11.27	
24	1.44	23.5	2550(18)	3000(21)	600 (*) 2500	2.258(57.36)	4.634(117.71)	5.20	11.44	UNF-16 1-5/16"-12 UNF-12 1-1/16"-12
26	1.53	25.0	2550(18)	3000(21)		2.317(58.86)	4.752(120.71)	5.26	11.57	
28	1.71	28.0	2550(18)	3000(21)		2.396(60.86)	4.910(124.71)	5.32	11.71	
30	1.84	30.0	2550(18)	3000(21)		2.475(62.86)	5.067(128.71)	5.39	11.86	
33	2.02	33.0	2550(18)	3000(21)		2.554(64.86)	5.225(132.71)	5.45	11.99	

(\*) More than 2500 qualified per applications.

### ORDERING EXAMPLE

When you need pump as above, the model number is

For Example    2        G        G        2        U                

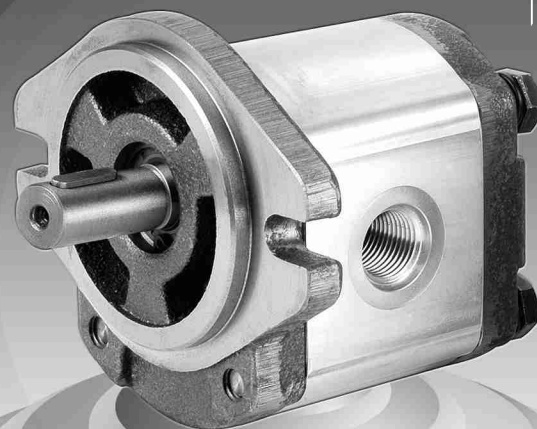
Series        Type        Flange        Shaft        Port        Displ.        Rotation

If you need pump with displ. 0.98 cir and rotation is cw, the model number is : **2GG2U16R**

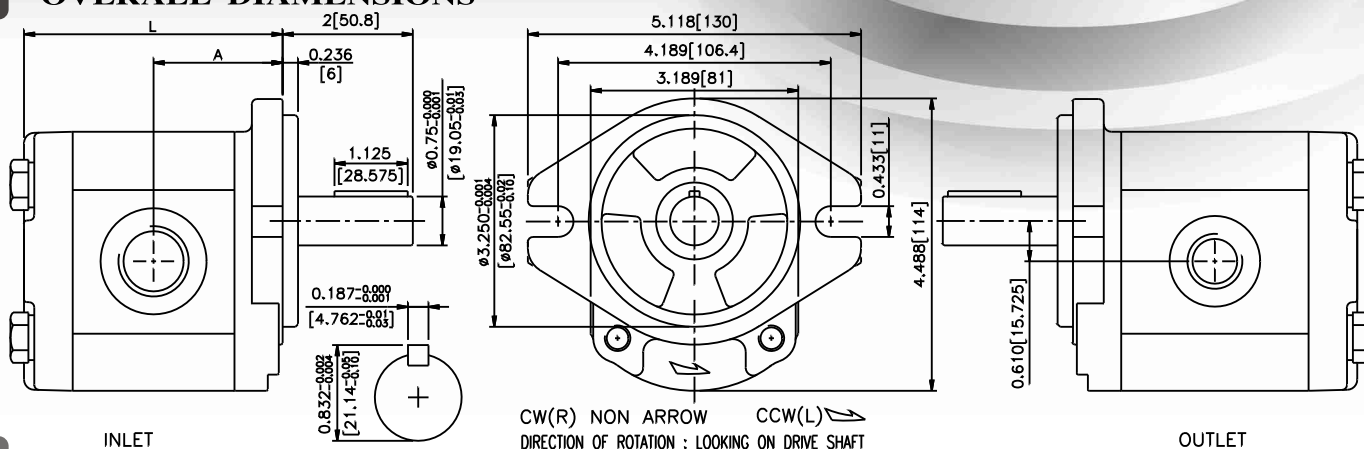
# 2G Series

## TYPE 2GG9U

2G cast iron pump covers ensure up to 3500 psi working pressure. The extruded body and pressure loaded bearing blocks are made from the highest quality aluminum. Precision machined one piece steel gears guarantee the highest performance standard available. Honor gear pumps are well suited for both industrial and mobile applications, and are very competitive so you can meet the competition with a good price advantage.



### OVERALL DIMENSIONS



### PERFORMANCE DATA

MODEL	DISPLACEMENT		PRESSURE psi(MPa)		RPM RANGE	DIMENSIONS inch(mm)		WEIGHT		PORT
	cir	cm <sup>3</sup> r	CONTINUOUS	MAX.		A	L	Kg	LBS	
05	0.30	5.0	3500(25)	4200(30)	600  4000	1.687(42.86)	3.493(88.71)	4.17	9.18	INLET UNF-12 1-1/16"-12  OUTLET UNF-10 7/8"-14
07	0.43	7.0	3500(25)	4200(30)		1.746(44.36)	3.611(91.71)	4.25	9.35	
08	0.52	8.4	3500(25)	4200(30)		1.796(45.61)	3.709(94.21)	4.31	9.48	
09	0.58	9.5	3500(25)	4200(30)		1.825(46.36)	3.768(95.71)	4.38	9.64	
11	0.69	11.3	3500(25)	4200(30)		1.884(47.86)	3.886(98.71)	4.55	10.01	
14	0.85	14.0	3500(25)	4200(30)		1.963(49.86)	4.044(102.71)	4.72	10.39	
16	0.98	16.0	3500(25)	4200(30)		2.022(51.36)	4.162(105.71)	4.81	10.59	
18	1.10	18.0	3500(25)	4200(30)		2.081(52.86)	4.280(108.71)	4.95	10.89	
20	1.20	19.5	3500(25)	4200(30)		2.160(54.86)	4.437(112.71)	5.03	11.07	
22	1.31	21.5	3500(25)	4200(30)		2.180(55.36)	4.477(113.71)	5.12	11.27	
24	1.44	23.5	2550(18)	3000(21)	600  2500 (*)	2.258(57.36)	4.634(117.71)	5.20	11.44	UNF-16 1-5/16"-12 UNF-12 1-1/16"-12
26	1.53	25.0	2550(18)	3000(21)		2.317(58.86)	4.752(120.71)	5.26	11.57	
28	1.71	28.0	2550(18)	3000(21)		2.396(60.86)	4.910(124.71)	5.32	11.71	
30	1.84	30.0	2550(18)	3000(21)		2.475(62.86)	5.067(128.71)	5.39	11.86	
33	2.02	33.0	2550(18)	3000(21)		2.554(64.86)	5.225(132.71)	5.45	11.99	

(\*) More than 2500 qualified per applications.

### ORDERING EXAMPLE

When you need pump as above, the model number is

2
G
G
9
U

Series
Type
Flange
Shaft
Port
Displ.
Rotation

For Example

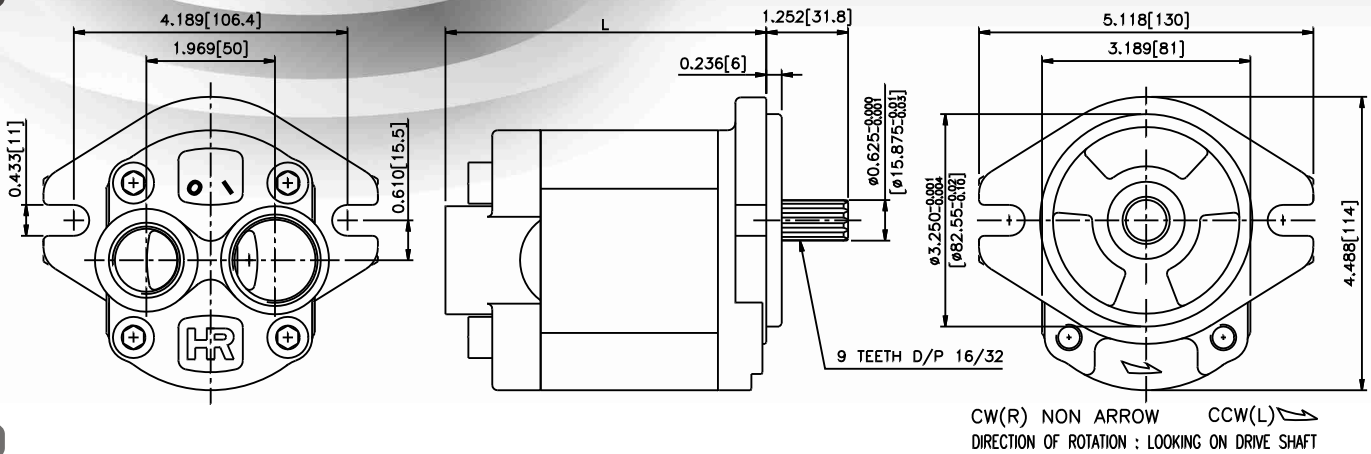
If you need pump with displ. 0.98 cir and rotation is cw, the model number is : **2GG9U16R**

# 2G Series

## TYPE 2GG2Z

2G cast iron pump covers ensure up to 3500 psi working pressure. The extruded body and pressure loaded bearing blocks are made from the highest quality aluminum. Precision machined one piece steel gears guarantee the highest performance standard available. Honor gear pumps are well suited for both industrial and mobile applications, and are very competitive so you can meet the competition with a good price advantage.

### OVERALL DIMENSIONS



### PERFORMANCE DATA

MODEL	DISPLACEMENT		PRESSURE psi(MPa)		RPM RANGE	DIMENSIONS inch(mm)		WEIGHT		PORT
	cir	cm <sup>3</sup> /r	CONTINUOUS	MAX.		A	L	Kg	LBS	
05	0.30	5.0	3500(25)	4200(30)	600	1.687(42.86)	3.493(88.71)	4.17	9.18	INLET UNF-16 1-5/16"-12
07	0.43	7.0	3500(25)	4200(30)		1.746(44.36)	3.611(91.71)	4.25	9.35	
08	0.52	8.4	3500(25)	4200(30)		1.796(45.61)	3.709(94.21)	4.31	9.48	
09	0.58	9.5	3500(25)	4200(30)		1.825(46.36)	3.768(95.71)	4.38	9.64	
11	0.69	11.3	3500(25)	4200(30)		1.884(47.86)	3.886(98.71)	4.55	10.01	
14	0.85	14.0	3500(25)	4200(30)		1.963(49.86)	4.044(102.71)	4.72	10.39	
16	0.98	16.0	3500(25)	4200(30)	4000	2.022(51.36)	4.162(105.71)	4.81	10.59	OUTLET UNF-12 1-1/16"-12
18	1.10	18.0	3500(25)	4200(30)	2.081(52.86)	4.280(108.71)	4.95	10.89		
20	1.20	19.5	3500(25)	4200(30)	2.160(54.86)	4.437(112.71)	5.03	11.07		
22	1.31	21.5	3500(25)	4200(30)	2.180(55.36)	4.477(113.71)	5.12	11.27		
24	1.44	23.5	2550(18)	3000(21)	2.258(57.36)	4.634(117.71)	5.20	11.44		
26	1.53	25.0	2550(18)	3000(21)	600	2.317(58.86)	4.752(120.71)	5.26	11.57	
28	1.71	28.0	2550(18)	3000(21)	(*)	2.396(60.86)	4.910(124.71)	5.32	11.71	
30	1.84	30.0	2550(18)	3000(21)	2500	2.475(62.86)	5.067(128.71)	5.39	11.86	
33	2.02	33.0	2550(18)	3000(21)		2.554(64.86)	5.225(132.71)	5.45	11.99	

■ (\*) More than 2500 qualified per applications.

■ shaft for 15.875, 19.05 available.

### ORDERING EXAMPLE

When you need pump as above, the model number is

For Example      2      G      G      2      Z            

Series            Type            Flange            Shaft            Port            Displ.            Rotation

If you need pump with displ. 0.98 cir and rotation is cw, the model number is : **2GG2Z16R**



# 2G Series Performance Curve

