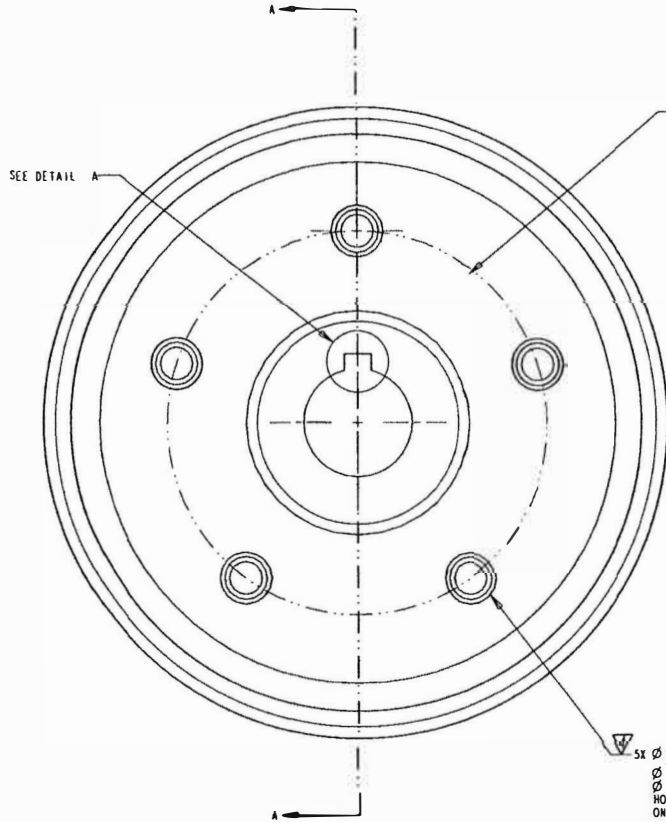


DRAWING NO: **HB018118** REVISION: **48**

300018118

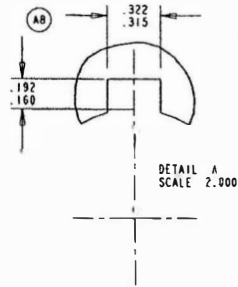
- ▽▽ CONCENTRIC WITHIN .006
- ▽▽ CONCENTRIC WITHIN .006
- ▽▽ CONCENTRIC WITHIN .006 T.I.R.
- ▽▽ CONCENTRIC WITHIN .010
- ▽▽ CONCENTRIC TO ▽ WITHIN .030 T.I.R.
- ▽ MAJOR

NOTE:
 1. ALL MACHINED DIMENSIONS ±.010 UNLESS OTHERWISE NOTED
 2. PAINT BLACK



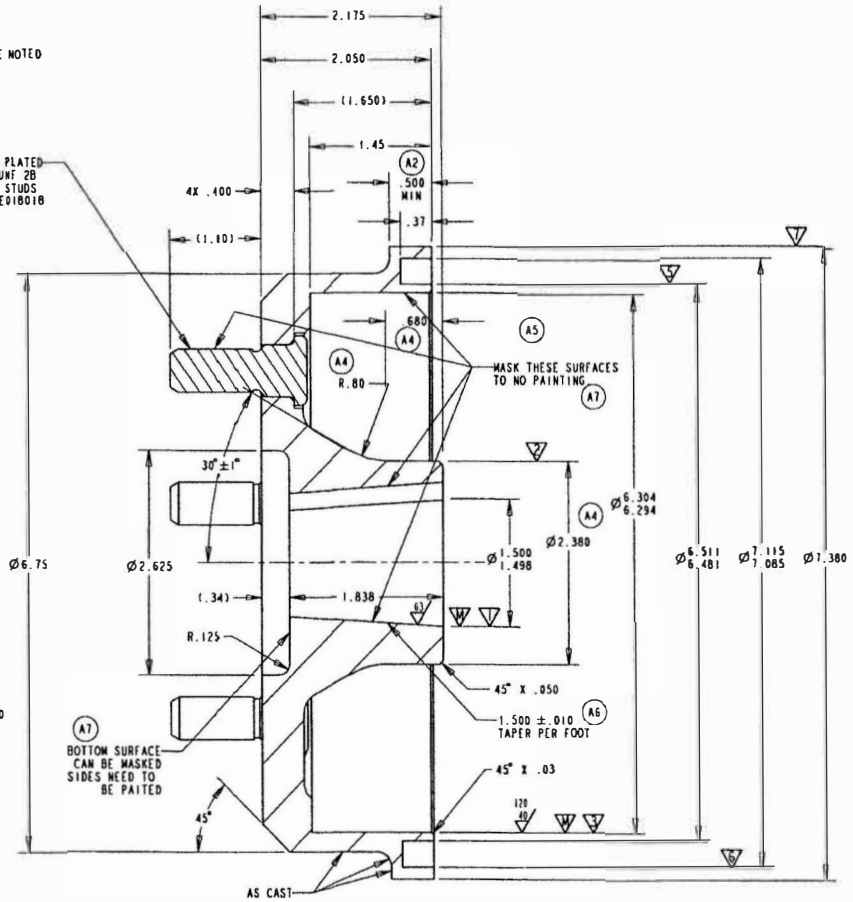
SEE DETAIL A

DATE & FOUNDRY CODE REQUIRED BETWEEN BOLT HOLES ON INSIDE (OPPOSITE SIDE SHOWN) ON CAST SURFACE



5X Ø .611 THROUGH .603
 Ø .880 C' BORE TO DEPTH SHOWN (OPPOSITE SIDE)
 Ø .120 X 90° C' SINK (OPPOSITE SIDE)
 HOLES EQUALLY SPACED AND LOCATED AS SHOWN ON A Ø4.50 ±.005 BOLT CIRCLE.

A2 5X ZINC PLATED 1/2-20 UNF 2B GRADE B STUDS PART# CE018018



SECTION A-A

THIS DOCUMENT CONTAINS PROPRIETARY INFORMATION AND SUCH INFORMATION MAY NOT BE DISCLOSED TO OTHERS FOR ANY PURPOSE OR USED FOR MANUFACTURING PURPOSES WITHOUT WRITTEN PERMISSION FROM:
 WHITE DRIVE PRODUCTS, INC.
 P.O. BOX 1127
 HOPKINSVILLE, KY 42241-1127

UNLESS NOTED OTHERWISE:
 .X = ±.030
 .XX = ±.010
 .XXX = ±.005
 .XXXX = ±.0005
 ANGLES = ±2°

A8	REMOVED 315 BIRTH AND 17752222	BW	C2010-125	3-11-10
A7	ADD PAINTING NOTE	VY	2009-175	1-4-10
A6	WAS 1.500 ±.002		2009-178	1-4-10
A5	REMOVED AS CAST NOTE			
A4	ADDED Ø2.380 TURN SPECS		2005-005	01-22-08
A3	WAS .540-.500		2004-034	
A2	ADDED ZINC PLATED STUDS	MM	2005-030	8-18-06
REV.	DESCRIPTION	DRW	APP	DATE
WEIGHT: 8.83 LBS.				
MATERIAL: SEE PREVIOUS				
SCALE: 1.000				
PREV: HB018989				
UNIT: INCHES				
NEXT:				

BRAKE DRUM ASSEMBLY
 4.50 B.C. (FOR HB 1-1/2 MOTOR) NO PILOT
WHITE DRIVE PRODUCTS, INC.
 HOPKINSVILLE, KY
 DRAWING NO: **HB018118** REVISION: **A8**