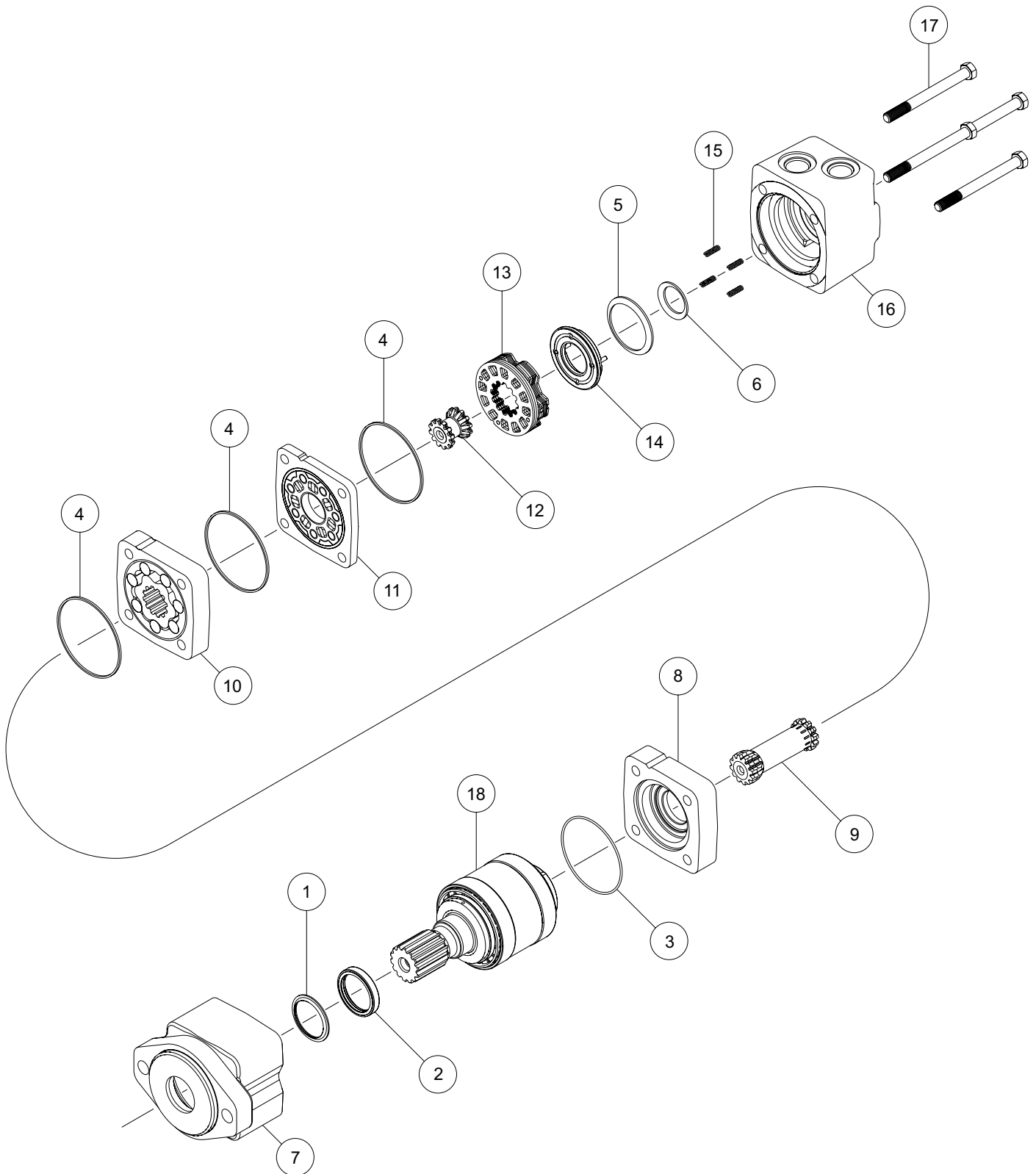


# WS (350) Series



# WS (350) SERIES MOTOR COMPONENTS

## SEAL KIT 355355001

| DESCRIPTION       | EXP. VIEW ITEM # | KIT   |
|-------------------|------------------|---|
| EXCLUDER SEAL     | 1                | ITEMS # 1-6<br>INCLUDED IN<br>SEAL KIT<br>355355001 |
| BUNA SHAFT SEAL   | 2                |   |
| HOUSING SEAL      | 3                |   |
| BODY SEALS (3)    | 4                |   |
| LARGE PISTON SEAL | 5                |   |
| SMALL PISTON SEAL | 6                |   |

## MISCELLANEOUS KITS

| DESCRIPTION                   | EXP. VIEW ITEM # | KIT        |
|-------------------------------|------------------|------------|
| WEAR PLATE                    | 8                | 355012005  |
| MANIFOLD                      | 11               | 350015100  |
| DRIVER                        | 12               | 350014100  |
| COMMUTATOR                    | 13               | 350012107  |
| ENDCOVER PISTON               | 14               | 355018036  |
| PISTON SPRINGS                | 15               | 355018032  |
| 1000 PSI RELIEF VALVE         | NOT SHOWN        | 500018228  |
| 2000 PSI RELIEF VALVE         | NOT SHOWN        | 500018231  |
| 3000 PSI RELIEF VALVE         | NOT SHOWN        | 500018221  |
| M24 X 1.5 SLOTTED HEX NUT     | NOT SHOWN        | 500449306  |
| 1.125-18 UNEF SLOTTED HEX NUT | NOT SHOWN        | 700018038  |
| 1.125-18 UNEF SOLID HEX NUT   | NOT SHOWN        | 700018054  |
| 1.00-20 UNEF SOLID NUT        | NOT SHOWN        | 500449303  |
| 1.00-20 UNEF LOCK NUT         | NOT SHOWN        | 300339303P |
| 1.00-20 UNEF SLOTTED NUT      | NOT SHOWN        | 500449304  |

## ROTORS, DRIVE LINKS AND BOLTS

WHEN CHANGING MOTOR DISPLACEMENTS, A MATCHING ROTOR AND BOLT SET KIT MUST BE ORDERED. A NEW DRIVE LINK KIT MAY BE NECESSARY.

| EXPLODED VIEW ITEM # | 10                 | 9              | 17           |
|----------------------|--------------------|----------------|--------------|
| DISPLACEMENT         | STANDARD ROTOR KIT | DRIVE LINK KIT | BOLT SET KIT |
| 080                  | 350057004          | 355014103      | 300335018    |
| 100                  | 350067004          | 355014103      | 300335018    |
| 110                  | 250077004          | 355014104      | 300334024    |
| 130                  | 350087004          | 355014105      | 300334018L   |
| 160                  | 350107004          | 355014106      | 300335114    |
| 200                  | 350127004          | 355014107      | 300335024    |
| 230                  | 350147004          | 355014108      | 300334024L   |
| 320                  | 350207004          | 355014109      | 355335024    |
| 400                  | 350247004          | 355014109      | 355335024    |
| 500                  | 350317004          | 355014110      | 350335500    |

## HOUSING KITS

(EXPLODED VIEW ITEM #7)

| DESCRIPTION                              | HOUSING KIT |
|--|-------------|
| A0 & A7 2-HOLE SAE A MOUNT               | 350013111   |
| A2 & A8 4-HOLE MAGNETO MOUNT             | 350013114   |
| AG & AH 4-HOLE SQUARE SAE A MOUNT        | 350013118   |
| B0 & B7 2-HOLE SAE B MOUNT               | 350013115   |
| Y2 & Y8 4-HOLE WHEEL MOUNT (4.25" PILOT) | 350013117   |

## SHAFTS AND RELATED COMPONENTS KITS

SHAFT KITS COME WITH ALL RELATED SHAFT COMPONENTS (ie. KEYS, NUTS, BOLTS, WASHERS, ETC.) TO ORDER INDIVIDUAL SHAFT COMPONENTS (i.e. keys, nuts) USE THE KIT NUMBER FOR EACH INDIVIDUAL PART

| EXPLODED VIEW ITEM # | 18        | NOT SHOWN | NOT SHOWN |
|----------------------|-----------|-----------|-----------|
| DESCRIPTION          | SHAFT KIT | KEY KIT   | NUT KIT   |
| #02 6B SPLINE        | 35011002  | ---       | ---       |
| #10 1" STRAIGHT      | 35011010  | 200229100 | ---       |
| #12 25MM STRAIGHT    | 35011012  | 355018046 | ---       |
| #20 1-1/4" STRAIGHT  | 35011020  | 355018038 | SEE MISC. |
| #21 32MM STRAIGHT    | 35011021  | 355018047 | KITS LIST |
| #22 1-1/4" TAPERED   | 35011022  | 355018039 | ABOVE     |
| #23 14 TOOTH SPLINE  | 35011023  | ---       | ---       |
| #28 35MM TAPERED     | 35011028  | 355018048 | ---       |
| #31 1-1/2" TAPERED   | 35011031  | 500449105 | ---       |

## ENDCOVER KITS

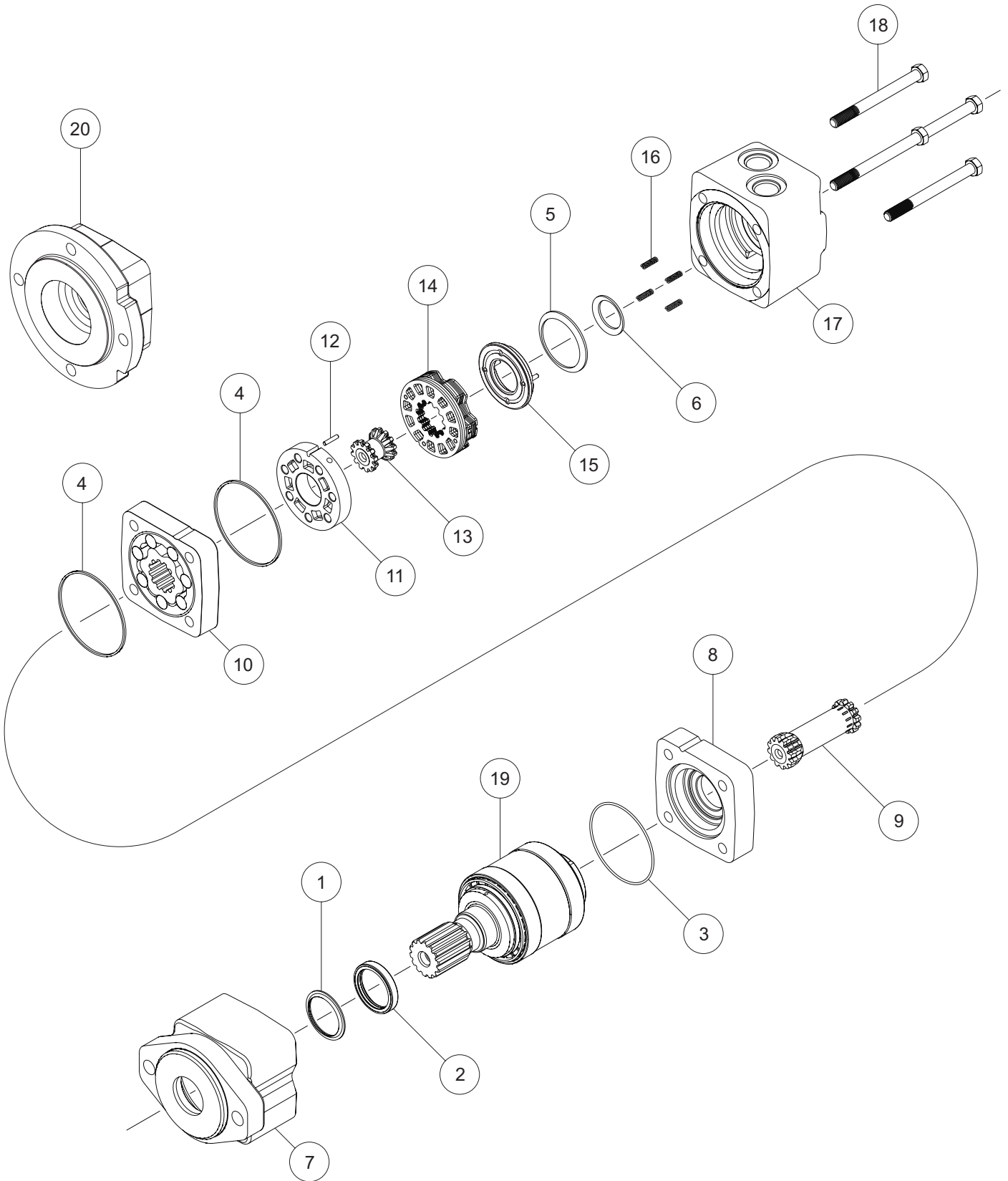
(EXPLODED VIEW ITEM #16)

ENDCOVER KITS COME ASSEMBLED WITH EXPLODED VIEW ITEMS # 5, 6, 14, & 15.

TO ORDER A RELIEF VALVE FOR THE VALVE CAVITY ENDCOVERS, SEE THE MISCELLANEOUS KITS LISTING ABOVE FOR RELIEF VALVE KIT #S.

| DESCRIPTION                         | STANDARD     | VALVE CAVITY |
|-------------------------------------|--------------|--------------|
|                                     | ENDCOVER KIT | ENDCOVER KIT |
| #1 7/8" O-RING (SIDE PORTS)         | 350160100    | 350160100R   |
| #1 7/8" O-RING (END PORTS)          | 350160103    | ---          |
| #2 1/2" BSP.F (SIDE PORTS)          | 350160118    | 350160118R   |
| #2 1/2" BSP.F (END PORTS)           | 350160122    | ---          |
| #6 1-1/16" O-RING 180° (SIDE PORTS) | 350160106    | ---          |
| #B 1/2" BSP.F (END PORTS)           | 350160146    | ---          |

# WS (355) Series



# WS (355) SERIES MOTOR COMPONENTS

## SEAL KIT 355355001

| DESCRIPTION       | EXP. VIEW ITEM # | KIT   |
|-------------------|------------------|---|
| EXCLUDER SEAL     | 1                | ITEMS # 1-6<br>INCLUDED IN<br>SEAL KIT<br>355355001 |
| BUNA SHAFT SEAL   | 2                |   |
| HOUSING SEAL      | 3                |   |
| BODY SEALS (2)    | 4                |   |
| LARGE PISTON SEAL | 5                |   |
| SMALL PISTON SEAL | 6                |   |

## MISCELLANEOUS KITS

| DESCRIPTION  | EXP. VIEW ITEM # | KIT        |
|--|------------------|------------|
| WEAR PLATE   | 8                | 355012005  |
| MANIFOLD   | 11               | 355015000  |
| PIN  | 12               | 355018034  |
| DRIVER   | 13               | 355014000  |
| COMMUTATOR   | 14               | 355012007  |
| ENDCOVER PISTON  | 15               | 355018036  |
| PISTON SPRINGS   | 16               | 355018032  |
| SHORT MOTOR MOUNTING FLANGE<br>(USE WITH 0A CARDAN SHAFT ONLY) | 20               | 355013021  |
| 1000 PSI RELIEF VALVE  | NOT SHOWN        | 500018228  |
| 2000 PSI RELIEF VALVE  | NOT SHOWN        | 500018231  |
| 3000 PSI RELIEF VALVE  | NOT SHOWN        | 500018221  |
| M24 X 1.5 SLOTTED HEX NUT                                      | NOT SHOWN        | 500449306  |
| 1.125-18 UNEF SLOTTED HEX NUT                                  | NOT SHOWN        | 700018038  |
| 1.125-18 UNEF SOLID HEX NUT                                    | NOT SHOWN        | 700018054  |
| 1.00-20 UNEF SOLID NUT   | NOT SHOWN        | 500449303  |
| 1.00-20 UNEF LOCK NUT  | NOT SHOWN        | 300339303P |
| 1.00-20 UNEF SLOTTED NUT                                       | NOT SHOWN        | 500449304  |

## ROTORS, DRIVE LINKS AND BOLTS

WHEN CHANGING MOTOR DISPLACEMENTS, A MATCHING ROTOR AND BOLT SET KIT MUST BE ORDERED. A NEW DRIVE LINK KIT MAY BE NECESSARY.

| EXPLODED VIEW ITEM # | 10                 | 9                          | 9               | 18           |
|----------------------|--------------------|----------------------------|-----------------|--------------|
| DISPLACEMENT         | STANDARD ROTOR KIT | DRIVE LINK KIT & 0A CARDAN | 00 CARDAN SHAFT | BOLT SET KIT |
| 100                  | 355337100          | 355014003                  | ---             | 300335014    |
| 110                  | 355337110          | 355014004                  | ---             | 300335110    |
| 130                  | 355337130          | 355014005                  | ---             | 300335018    |
| 160                  | 355337160          | 355014006                  | ---             | 300334018L   |
| 200                  | 355337200          | 355014007                  | ---             | 300335114    |
| 230                  | 355337230          | 355014008                  | ---             | 300335024    |
| 320                  | 355337320          | 355014009                  | ---             | 355335320    |
| 400                  | 300332024          | 355014009                  | ---             | 355335320    |
| 500                  | 355337500          | 355014010                  | ---             | 355335500    |

## HOUSING KITS

(EXPLODED VIEW ITEM #7)

HOUSING KIT INCLUDES ITEMS # 1, 2, & 19. ITEM # 19 CANNOT BE ORDERED AS AN INDIVIDUAL COMPONENT. ITEM # 19 IS ONLY SHOWN FOR SEAL KIT SERVICING PURPOSES ONLY. THE BEARINGS SHOWN ON ITEM # 19 ARE PRELOADED TO EACH INDIVIDUAL HOUSING AND BECAUSE OF THIS ITEM # 19 CANNOT BE ORDERED BY ITSELF. ITEM # 19 CAN BE PRESSED OUT AND BACK INTO THE SAME HOUSING WHEN SERVICING THE SEALS ON THE MOTOR.

| DESCRIPTION                        | HOUSING KIT |
|------------------------------------|-------------|
| #A0 & A7 2-HOLE SAE A MOUNT        | 35513A0_ _  |
| #A2 & A8 4-HOLE MAGNETO MOUNT      | 35513A2_ _  |
| #AG & AH 4-HOLE SQUARE SAE A MOUNT | 35513AG_ _  |
| #W2 & W8 3.25" PILOT WHEEL MOUNT   | 35513W2_ _  |
| #Y2 & Y8 4.25" PILOT WHEEL MOUNT   | 35513Y2_ _  |
| #Z2 & Z8 EURO WHEEL MOUNT          | 35513Z2_ _  |

**NOTE: TO FILL IN THE REMAINING TWO (2) DIGITS IN HOUSING KIT ORDER CODE THE SHAFT NUMBER IS TO BE USED. PLEASE REFER TO THE SHAFT DESCRIPTION BELOW FOR THE TWO (2) DIGIT SHAFT CODE NEEDED TO COMPLETE THE HOUSING KIT ORDER NUMBER.**

## SHAFTS AND RELATED COMPONENTS KITS

IF SERVICING A WS SHORT MOTOR, THE DRIVE LINK (9) IS CONSIDERED THE OUTPUT SHAFT. (SEE DRIVE LINKS ABOVE)  
TO ORDER INDIVIDUAL SHAFT COMPONENTS (i.e. keys, nuts) USE THE KIT NUMBER FOR EACH INDIVIDUAL PART.

| EXPLODED VIEW ITEM # 19 | NOT SHOWN KEY KIT | NOT SHOWN NUT KIT         |
|-------------------------|-------------------|---------------------------|
| #02 6B SPLINE           | ---               | ---                       |
| #10 1" STRAIGHT         | 200229100         | ---                       |
| #12 25MM STRAIGHT       | 355018046         | ---                       |
| #20 1-1/4" STRAIGHT     | 355018038         | SEE MISC. KITS LIST ABOVE |
| #21 32MM STRAIGHT       | 355018047         | ---                       |
| #22 1-1/4" TAPERED      | 355018039         | ---                       |
| #23 14 TOOTH SPLINE     | ---               | ---                       |
| #28 35MM TAPERED        | 355018048         | ---                       |
| #31 1-1/2" TAPERED      | 500449105         | ---                       |

## ENDCOVER KITS

(EXPLODED VIEW ITEM #17)

ENDCOVER KITS COME ASSEMBLED WITH EXPLODED VIEW ITEMS # 5, 6, 15, & 16.

TO ORDER A RELIEF VALVE FOR THE VALVE CAVITY ENDCOVERS, SEE THE MISCELLANEOUS KITS LISTING ABOVE FOR RELIEF VALVE KIT #S.

| DESCRIPTION                                | STANDARD     | VALVE CAVITY |
|--|--------------|--------------|
|  | ENDCOVER KIT | ENDCOVER KIT |
| #1 7/8" O-RING (SIDE PORTS)                | 355160000    | 355160000R   |
| #2 1/2" BSP.F (SIDE PORTS)                 | 355160018    | 355160018R   |
| #3 1/2" BSP.F OFFSET MANIFOLD (SIDE PORTS) | 355160024    | 355160024R   |
| #5 9/16" O-RING (SIDE PORTS)               | 355160003    | ---          |
| #6 1-1/16" O-RING 180° (SIDE PORTS)        | 355160004    | ---          |
| #9 3/8" BSP.F (SIDE PORTS)                 | 355160006    | ---          |
| #1 7/8" O-RING (END PORTS)                 | 355160007    | ---          |
| #2 1/2" BSP.F (END PORTS)                  | 355160009    | ---          |